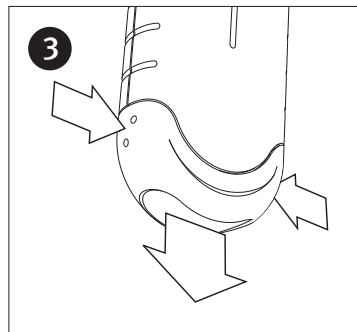
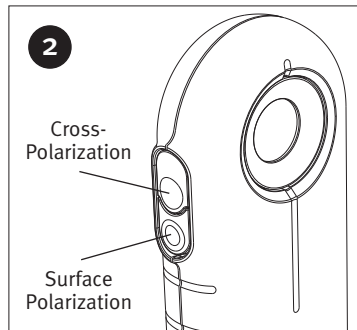
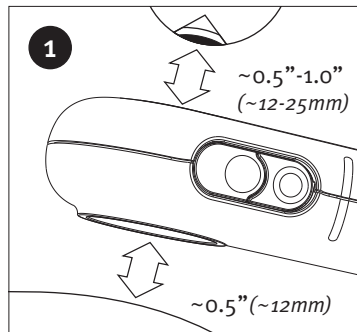


3Gen

# Dermlite<sup>®</sup> carbon



## Instructions

### Dermlite carbon™ Pocket Epiluminescence Device

- CAUTION:** Prior to using the Dermlite carbon, read these instructions and keep them in a safe place for future reference.
- CAUTION:** United States Federal Law restricts this device to sale by or on the order of a physician.
- CAUTION:** The Dermlite carbon is designed for external examination only.

The Dermlite carbon is a pocket epiluminescence microscopy (PELM) device designed to view skin lesions with high magnification and clarity. A 10x Hastings Triplet lens combined with a unique button-activated variable polarization system allowing independent activation of two sets of eight LEDs provides for ideal skin microscopy. While one set of eight LEDs produces glare-free, cross-polarized light by cancelling the reflected light from the skin, a second set provides a polarized rendition of skin rich in surface detail. A high quality, three-element lens with superb color correction and reduced image distortion is used to image the skin.

#### Directions for Use (Fig. 1-3)

**CAUTION:** Do not look directly into the bright LED light. Patients must close their eyes during facial examinations.

Hold the Dermlite carbon so that the LEDs are aimed in the direction of the lesion to be examined. Place the Dermlite carbon approximately 1/2" (~12mm) from the skin (Fig. 1). The two power buttons (Fig. 2) at the side of the unit activate the LEDs. If you are right-handed, use your thumb to activate the button(s) and hold it down as long as you need light. If you are left-handed, use your forefinger to activate the power button(s).

Look through the lens with your eye placed 1/2" (~12mm) to 1" (~25mm) above the Dermlite carbon (Fig. 1). Move the Dermlite carbon closer or further away from the lesion to obtain the desired image focus.

#### Variable Polarization (2)

Each of the two power buttons activates a set of eight LEDs with distinct polarization. To examine deeper pigmentation with cross-polarization, push the dome-shaped "Cross-Polarization" button (Fig. 2). For skin surface visualization, use the ring-shaped "Surface Polarization" button. To achieve a more "natural" daylight illumination, push both buttons at the same time.

#### Replacing the Battery (3)

The long-life 6V Lithium battery provides up to 8 hours of continuous operation, or enough power for imaging approximately 1200 lesions at 30 seconds per examination.

To change the battery (Fig. 3), squeeze the cap by its sides and remove it and the battery. Insert a new battery of the same type with the contacts facing forward. Replace the battery cap securely on the device.

The Dermlite uses a 2CR5 Lithium Battery, which may be purchased from camera stores and other retailers. You may also purchase batteries from

#### Symbol Explanation

- Cross-Polarization setting power button
- ⊙ Linear Polarization setting power button
- REF** Model Number
- SN** Serial Number
- ⚠ Attention, consult accompanying document
- Manufacturer

**EC REP** EC Representative (EU Only)

**EC REP** M. Devices Group,  
Marlborough House, Riding Street,  
Southport, PR8 1EW, UK.  
Tel: +44 1704 544 944 Fax: +44 1704 544 050

3Gen at low prices.

#### Troubleshooting

Please check our website ([www.Dermlite.com](http://www.Dermlite.com)) for the most current troubleshooting information.

If you need to return the Dermlite to 3Gen for servicing, please call 3Gen prior to returning the device.

**No Light**  
Replace the battery with a new, unused battery and check again. If the condition persists, send the unit to 3Gen for evaluation and/or repair.

**Weak Lighting**  
Replace the battery with a new battery.

**Light Flickers**  
Remove the battery and check its metal contacts for dirt or dust. Wipe off any dust and reinsert the battery. If there are signs of corrosion, discard the battery and replace it with a new battery. Should you still encounter flickering, return the Dermlite to 3Gen for evaluation and/or repair.

**LED Fails**  
The LEDs used in the Dermlite are designed to last over 100,000 hours. If any of the eight LEDs fail, return the Dermlite to 3Gen for repair.

#### Care and Maintenance

The Dermlite is designed for trouble-free operation. There are no adjustments to be made nor is any special servicing required. Never attempt to open the device for any reason.

#### Cleaning and Sterilization

The Dermlite's exterior may be cleaned or disinfected by wiping it with Isopropyl alcohol (70% vol.). Do not use alcohol or disinfectants in the optical areas of the unit. Do not use abrasive material on any part of the equipment or immerse the device in liquid. Do not autoclave.

#### Cleaning the Lens and the Polarizers


The lens and the polarizing filters should be treated as high quality photographic equipment and should be cleaned with standard lens cleaning equipment and protected from harmful chemicals.

#### Specifications

The Dermlite features an optical microscope system designed for superb clarity and glare-free vision. Dermlite components include:

- Sixteen 3mm White LEDs
- 10x Hastings Triplet Lens
- Button-Activated Variable Polarization
- 2CR5 Lithium Battery

**Warranty**  
5 years for parts and labor.

 Do not dispose as unsorted municipal waste

Dermlite and 3Gen are registered trademarks of

3Gen, LLC • 31521 Rancho Viejo Road • San Juan Capistrano, CA 92675 • U.S.A.  
Tel. +1.949.481.6384 • Fax +1.949.240.7492 • E-Mail: [info@3GenLLC.com](mailto:info@3GenLLC.com) • [www.Dermlite.com](http://www.Dermlite.com)  
© 2003-2008 by 3Gen, LLC • All rights reserved. • REF A LT100-0020

3Gen Patents Include:

7,006,223 (Dermoscopy Epiluminescence Device Employing Cross and Parallel Polarization)  
7,167,243 (Dermoscopy Epiluminescence Device Employing Cross and Parallel Polarization)

To order, or for more information, please contact:

**docStock**  
@com.au

Ph: (02) 8850 7177 Fax: (02) 8850 7988  
email: [info@docstock.com.au](mailto:info@docstock.com.au)  
[www.docstock.com.au](http://www.docstock.com.au) [...medical products online]