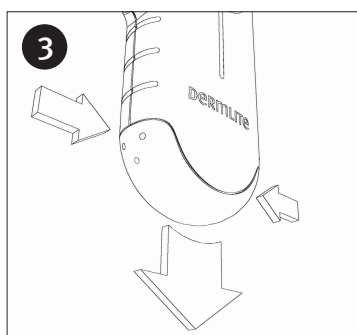
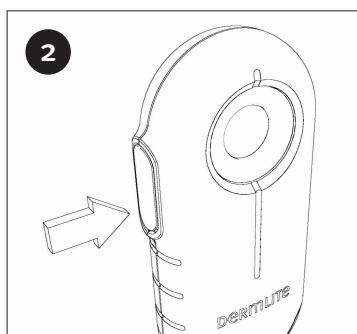
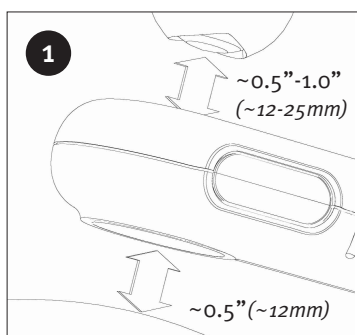


3Gen

Dermlite[®] DL100



Instructions

Dermlite DL100 Pocket Epiluminescence Microscopy Device

CAUTION: Prior to using the Dermlite, read these instructions and keep them in a safe place for future reference.

CAUTION: United States Federal Law restricts this device to sale by or on the order of a physician.

CAUTION: The Dermlite is designed for external examination only.

Introduction

The Dermlite is a pocket epiluminescence microscopy (PELM) device designed to view skin lesions with high magnification and clarity.

White LED lighting technology combined with a 10x Hastings Triplet lens provides for ideal skin microscopy. The LED daylight-type light is linearly polarized, and a second polarizing lens is aligned to cancel the reflected light from the skin. A high quality, three-element lens with 10x magnification, superb color correction, and reduced image distortion is used to image the skin.

Directions for Use (Fig. 1-2)

CAUTION: Do not look directly into the bright LED Light. Patients must close their eyes during facial examinations.

Hold the Dermlite so that the LEDs are aimed in the direction of the lesion to be examined. Place the Dermlite approximately 1/2" (~12mm) from the skin (Fig. 1). If necessary, use your fingers to maintain optimum spacing. Press the power switch (Fig. 2) at the side of the unit to activate the LEDs. If you are right-handed, use your thumb to activate the button and hold it down as long as you need light. If you are left-handed, use your forefinger to activate the power button.

Look through the lens with your eye placed 1/2" (~12mm) to 1" (~25mm) above the Dermlite (Fig. 1). Move the Dermlite closer or further away from the lesion to obtain the desired image focus.

Replacing the Battery (3)

The long-life 6V Lithium battery provides up to 8 hours of continuous operation, or enough power for imaging approximately 1200 lesions at 30 seconds per examination.

To change the battery (Fig. 3), squeeze the cap by its sides and remove it and the battery. Insert a new battery of the same type with the contacts facing forward. Replace the battery cap securely on the device.

The Dermlite uses a 2CR5 Lithium Battery, which may be purchased from camera stores and other retailers. You may also purchase batteries from 3Gen at low prices (see enclosed order card).

Troubleshooting

Please check our website (www.Dermlite.com) for the most current troubleshooting information.

If you need to return the Dermlite to 3Gen for servicing, please call 3Gen prior to returning the device, and a unique Return Merchandise Number (RMA) will be issued to you.

No Light
Replace the battery with a new, unused battery and check again. If the condition persists, send

the unit to 3Gen for evaluation and/or repair.

Weak Lighting
Replace the battery with a new battery (you have approximately 30 minutes of battery life before the unit will not function.)

Light Flickers
Remove the battery and check its metal contacts for dirt or dust. Wipe off any dust and reinsert the battery. If there are signs of corrosion, discard the battery and replace it with a new battery. Should you still encounter flickering, return the Dermlite to 3Gen for evaluation and/or repair.

LED Fails
The LEDs used in the Dermlite are designed to last over 100,000 hours. If any of the eight LEDs fail, return the Dermlite to 3Gen for repair.

Care and Maintenance

The Dermlite is designed for trouble-free operation. There are no adjustments to be made nor is any special servicing required. Never attempt to open the device for any reason.

Cleaning and Sterilization

The Dermlite body may be cleaned or disinfected by wiping it with Isopropyl alcohol (70% vol.). Do not use alcohol or disinfectants in the optical areas of the unit. Do not use abrasive material on any part of the equipment or immerse the device in liquid. Do not autoclave.

Cleaning the Lens and the Polarizers

The lens and the polarizing filters should be treated as high quality photographic equipment and should be cleaned with standard lens cleaning equipment and protected from harmful chemicals.

Specifications




The Dermlite features an optical microscope system designed for superb clarity and glare-free vision. Dermlite components include:


- Eight 3mm White LEDs
- 10x Hastings Triplet Lens
- Linear Cross-Polarization Lenses
- 1300mAh/6 Volts, 2CR5 Lithium Battery


Warranty

5 years for parts and labor.

Symbol Explanation

REF Model Number
SN Serial Number
 Attention, consult accompanying document
 Manufacturer
 EC Representative (EU Only)

 M. Devices Group,
 Marlborough House, Riding Street,
 Southport, PR8 1EW, UK.
 Tel: +44 1704 544 944 Fax: +44 1704 544 050

 Do not dispose as unsorted municipal waste

To order, or for more information, please contact:

docStock
 .com.au

Ph: (02) 8850 7177 Fax: (02) 8850 7988
 email: info@docstock.com.au

www.docstock.com.au [...medical products online]