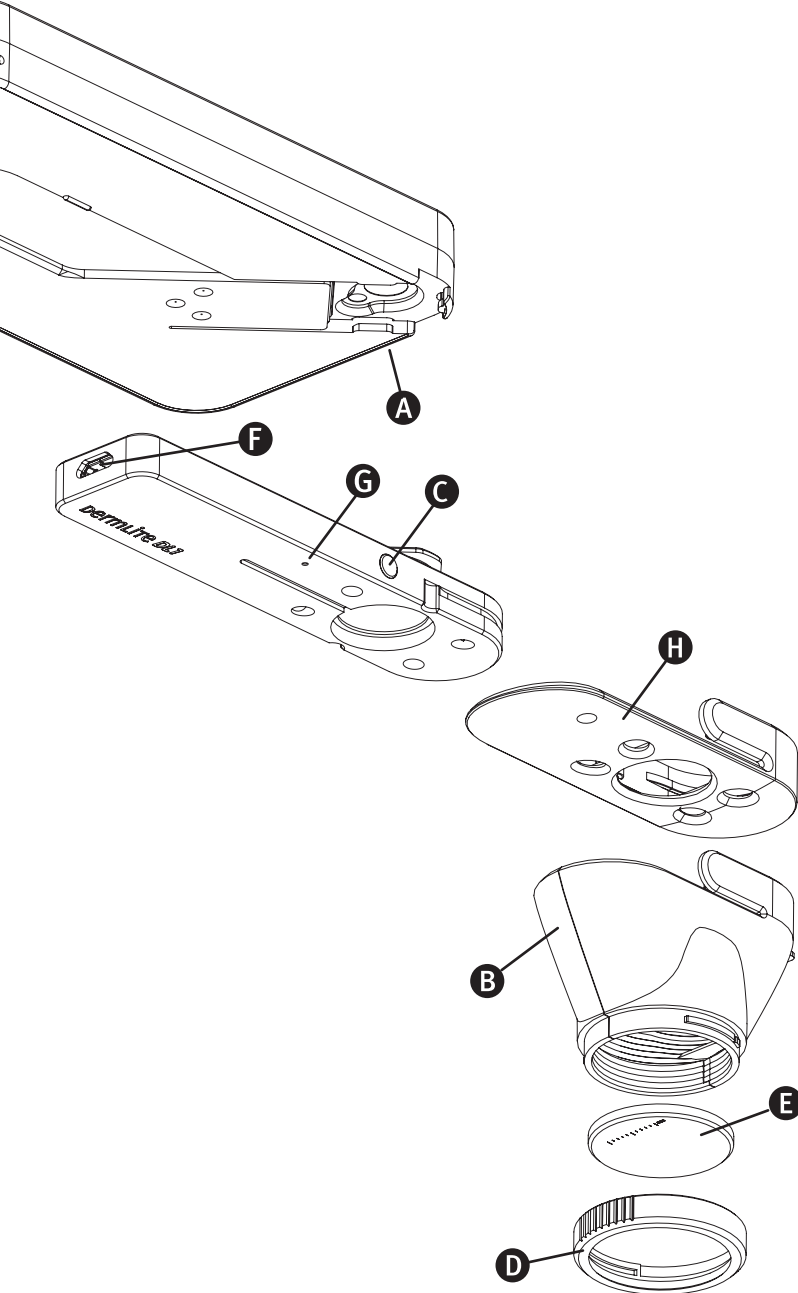


Instructions

DermLite DL1 Pocket Epiluminescence Device

dermlite® DL1



CAUTION: Prior to using the DermLite DL1, read these instructions and keep them in a safe place for future reference.

CAUTION: United States Federal Law restricts this device to sale by or on the order of a physician.

CAUTION: The DermLite DL1 is designed for external examination only.

DermLite DL1 is a mobile device-compatible pocket epiluminescence microscopy device designed to view skin lesions with high magnification and clarity.

Four LEDs (light emitting diodes) provide bright, even illumination, and a special spacer with cross-polarization provides a glare-free image by canceling the reflected light from the skin without immersion fluids, and a non-polarized spacer may be used for traditional immersion fluid dermoscopy. A high quality, three-element lens configuration, designed to provide excellent results with leading mobile devices, offers superb color correction and reduced image distortion for images rich in surface detail. The unit's glass faceplate may be removed for cleaning or no-contact imaging.

Directions for Use

CAUTION: Do not look directly into the bright LED light. Patients must close their eyes during facial examinations.

IMPORTANT: Before initial use, please charge your DL1 for a minimum of 2 hours.

Charging

Prior to using the DL1, connect the wider connector of the provided USB cable to a powered USB port (e.g. of a laptop, desktop computer, or Apple charger) and the other end to the DL1 Micro USB port (F). The charging indicator (G) will illuminate red to indicate that the DL1 is being charged. When the DL1 is fully charged, the indicator turns green and the device will allow up to an hour of continuous operation, or enough power for imaging approximately 60 lesions at 60 seconds per examination. If less than 25% battery life remains, the indicator will blink.

After 500-1,000 charges, the battery's capacity will diminish and the battery may need to be replaced by an authorized 3Gen service provider. Contact 3Gen to arrange for service.

Using your DL1

Your DL1 may be used with a Cross-Polarized or Non-Polarized Spacer Unit (B) or a Cross-Polarizing Clip (H). Slide either the Spacer Unit or Clip onto the DL1 until it snaps securely in place. The Spacer Unit should be placed directly on the skin. Push the power button (C) at the right side of the unit to activate the light. To turn off your DL1, simply push the power button. For use with your mobile device, attach your DermLite mobile device case (A) to your mobile device and attach your DL1 to the case. Your DL1 is designed to automatically turn off after 2 minutes to conserve battery life. To remove the glass faceplate (E), rotate the bayonet ring (D) counter-clockwise and remove. Handle the glass faceplate with great care.

CAUTION: If your DermLite is used for oil immersion imaging, place the oil only on the skin and then place the faceplate spacer on top of the oil. Do not allow oil to contact the metal DL1 body, as this may damage the unit.

CAUTION: Your DL1 uses a unique lithium-polymer battery, which can only be purchased from 3Gen or from an authorized 3Gen dealer. Do not under ANY circumstances use another battery other than the one designed for this unit. Doing so could result in damage to the unit.

Troubleshooting

Please check our website (www.dermlite.com) for the most current troubleshooting information. If your DermLite requires servicing, please go to the "Service & Support" pages at www.dermlite.com, where you can complete a "Repair Request" form. Or, contact your local 3Gen dealer.

No Light

Fully recharge the battery and check again. If the condition persists, your DermLite may require servicing.

LED Fails

The LEDs used in your DermLite are designed to last over 100,000 hours. If any one of the LEDs fails, your DermLite requires servicing.

Mechanical Malfunction

Please contact 3Gen to arrange for service.

Care and Maintenance

Your DL1 is designed for trouble-free operation. There are no adjustments to be made nor is any special servicing required. NEVER attempt to open the device for any reason.

Cleaning and Disinfection

The exterior of your DermLite may be cleaned or disinfected by wiping it with Isopropyl alcohol (70% vol.). Do not use alcohol or disinfectants in the optical areas of the unit. Do not use abrasive material on any part of the equipment or immerse the device in liquid. Do not autoclave.

Cleaning the Lens and the Polarizers

The lens and the polarizing filters should be treated as high quality photographic equipment and should be cleaned with standard lens cleaning equipment and protected from harmful chemicals.

DermLite DL1 components include:

Four 3mm white LEDs, three-element lens, cross-polarized spacer unit, non-polarized spacer unit, glass faceplate with 10mm scale, lithium-polymer battery.

Warranty

5 years for parts and labor.

Serial number and company information are embedded inside the unit.

REF	Model Number
SN	Serial Number
	Attention, consult accompanying document
	Manufacturer
	Do not dispose as unsorted municipal waste
	EC Representative (EU Only)

	M. Devices Group, Marlborough House, Riding Street, Southport, PR8 1EW, UK. Tel: +44 1704 544 944 Fax: +44 1704 544 050
--	--

DermLite and 3Gen are registered trademarks of
3Gen, LLC • 31521 Rancho Viejo Road Suite 104 • San Juan Capistrano, CA 92675 • U.S.A.
Tel. +1.949.481.6384 • Fax +1.949.240.7492 • E-Mail: info@3GenLLC.com • www.dermlite.com
©2011 by 3Gen, LLC • All rights reserved. • REF A LT100-0026

3Gen®

3Gen Patents Include:
7,006,223 (Dermoscopy Epiluminescence Device Employing Cross and Parallel Polarization)
7,167,243 (Dermoscopy Epiluminescence Device Employing Cross and Parallel Polarization)

To order, or for more information, please contact;

docStock
.com.au

Ph: (02) 8850 7177 Fax: (02) 8850 7988
email: info@docstock.com.au

www.docstock.com.au [...medical products online]