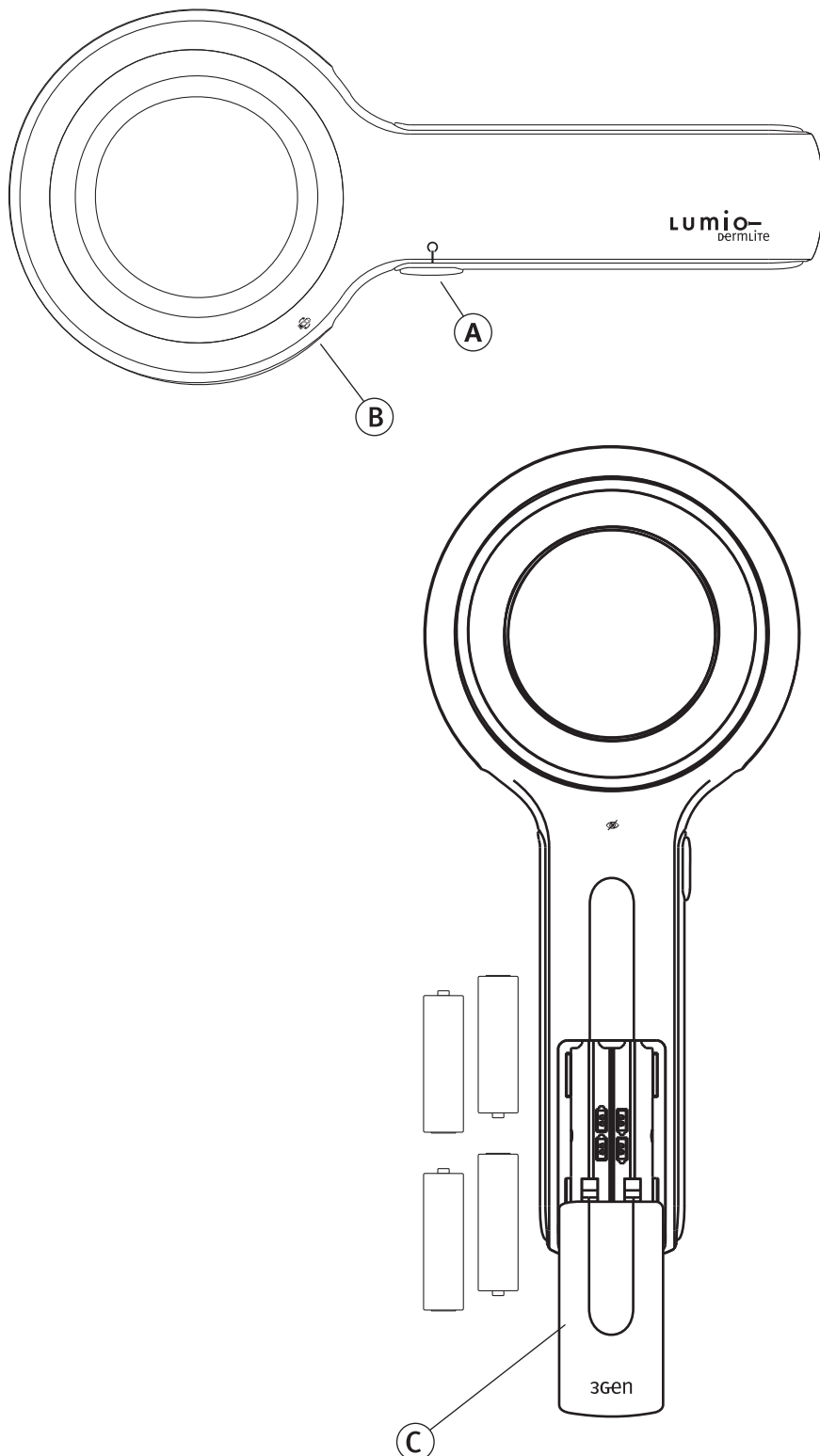


3Gen®

Lumio™

dermLite®



Instructions

Lumio Skin Examination Device

- CAUTION:** Prior to using the Lumio, read these instructions and keep them in a safe place for future reference.
- CAUTION:** United States Federal Law restricts this device to sale by or on the order of a physician.
- CAUTION:** The Lumio is designed for external examination only.

Introduction

The Lumio is a skin examination device designed to view the skin with magnification and clarity.

A ring made up of 40 LEDs (light emitting diodes) and polarization filters provide glare-free, cross-polarized light by canceling the reflected light from the skin. A high quality, 75 mm 2x lens with superb color correction and reduced image distortion produces an image rich in surface detail.

Directions for Use

CAUTION: Do not look directly into the bright LED light. Patients must close their eyes during facial examinations.

Hold the Lumio so that the LEDs are aimed in the direction of the area to be examined. Place the device approximately 3-5" (~75-125 mm) from the skin. Push the power button (A) at the left side of the unit to activate the LEDs.

Look through the lens with your eye placed 4-6" (~100-150 mm) above the Lumio. Move the device closer or further away from the skin to obtain the desired image focus and field of view.

Replacing the Batteries

Lumio is designed to work with either lithium-ion, alkaline, or NiMH rechargeable AA sized batteries. Disposable lithium-ion batteries are recommended for best lighting performance and longest battery life. The lithium-ion AA batteries provide approximately 2 hours of continuous operation, or enough power for performing approximately 240 exams at 30 seconds per examination. Once the batteries are depleted, an orange low battery indicator light (B) will illuminate. To replace the batteries, open the battery door (C) by sliding it towards the end of the handle. Remove all four batteries and insert four new AA batteries with their positive (+) and negative (-) ends positioned as shown on the inside of the battery compartment.

Lithium-ion AA batteries are available at most camera stores or directly from 3Gen.

Troubleshooting

Please check our website (www.dermlite.com) for the most current troubleshooting information.

If you need to return your Lumio to 3Gen for servicing, please call 3Gen prior to

returning the device.

No Light

Replace the batteries and check again. If the condition persists, send the unit to 3Gen for evaluation and/or repair.

Weak Lighting

Replace the batteries.

LED Fails

The LEDs used in the Lumio are designed to last over 100,000 hours. If more than one LED fails, contact 3Gen for repair.

Mechanical Malfunction

Please contact 3Gen to arrange for service.

Care and Maintenance

The Lumio is designed for trouble-free operation. There are no adjustments to be made nor is any special servicing required. Never attempt to open the device for any reason.

Cleaning and Sterilization

The Lumio body may be cleaned or disinfected by wiping it with Isopropyl alcohol (70% vol.). Do not use alcohol or disinfectants in the optical areas of the unit. Do not use abrasive material on any part of the equipment or immerse the device in liquid. Do not autoclave.

Cleaning the Lens and the Polarizers

The lens and the polarizing filters should be treated as high quality photographic equipment and should be cleaned with standard lens cleaning equipment and protected from harmful chemicals.

Specifications

Lumio features an innovative imaging system designed for superb clarity and outstanding vision. Lumio components include:

- Forty 5 mm white LEDs
- 75mm lens with 2x magnification
- Cross-polarized illumination
- Protective pouch
- Four lithium-ion AA batteries

Warranty

5 years for parts and labor.

Serial number and company information are located on the inside of the battery door.

Symbol Explanation

REF	Model Number
SN	Serial Number
	Attention, consult accompanying document
	Manufacturer
	EC Representative (EU Only)
	M. Devices Group, Marlborough House, Riding Street, Southport, PR8 1EW, UK. Tel: +44 1704 544 944 Fax: +44 1704 544 050



Power Button



Replace Battery



Do not dispose as unsorted municipal waste

Dermlite and 3Gen are registered trademarks of

3Gen, LLC • 31521 Rancho Viejo Rd., Suite 104 • San Juan Capistrano, CA 92675 • U.S.A.
Tel. +1.949.481.6384 • Fax +1.949.240.7492 • E-Mail: info@3GenLLC.com • www.Dermlite.com
© 2007 by 3Gen, LLC • All rights reserved. • REF A DLU-1701

To order, or for more information, please contact:

docStock
dermlite.com.au

Ph: (02) 8850 7177 Fax: (02) 8850 7988
email: info@docstock.com.au

www.docstock.com.au [...medical products online]