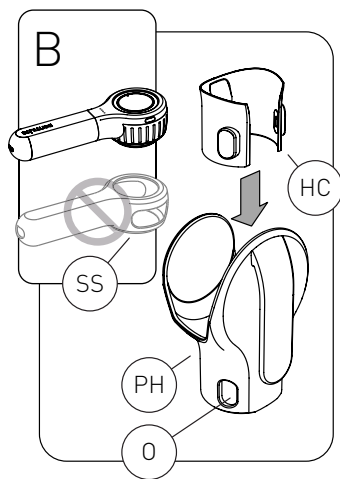
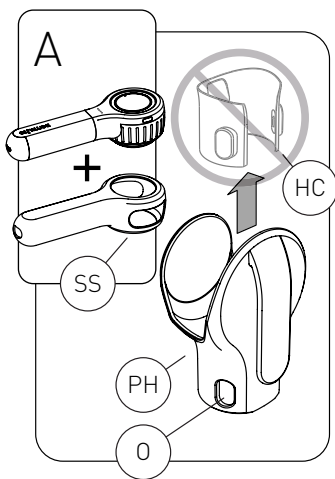
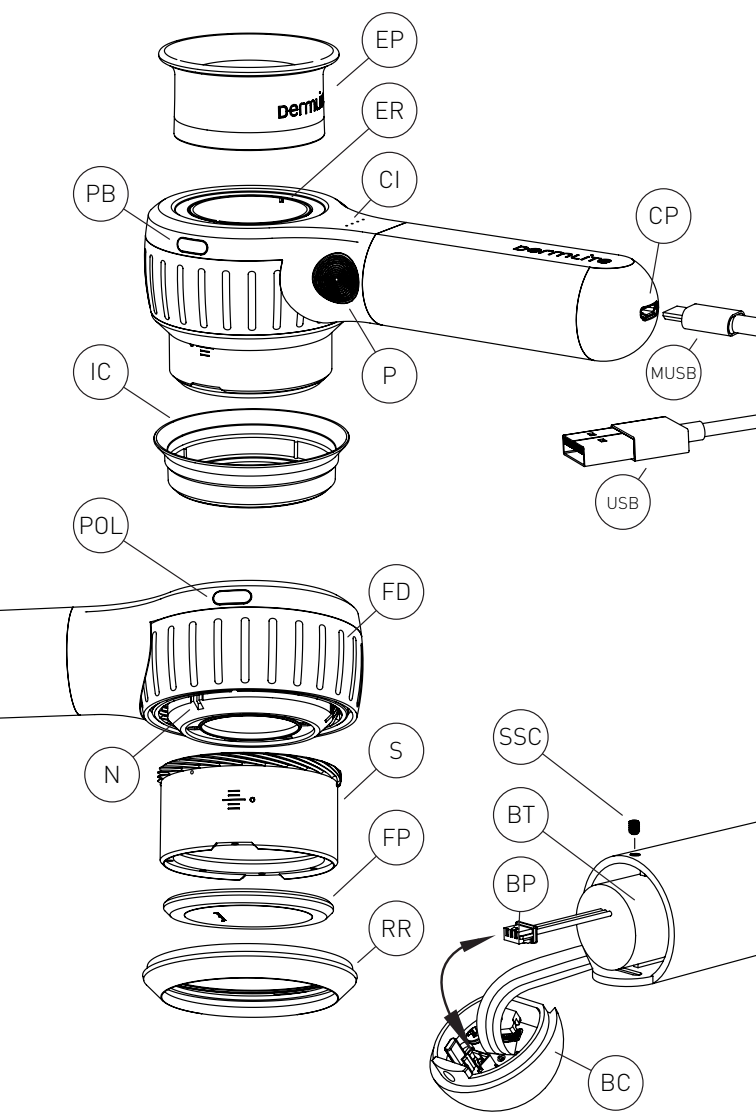


# dermlite DL4



# Instructions

**CAUTION:** Prior to using the DermLite, read these instructions and keep them in a safe place for future reference.

**CAUTION:** United States Federal Law restricts this device to sale by or on the order of a physician.

**CAUTION:** The DermLite is designed for external examination only.

DermLite DL4 is a smartphone-compatible pocket dermatoscope designed to view skin lesions with high magnification and clarity. Two sets of white LEDs (light emitting diodes) can be activated independently; one set of LEDs provides cross-polarized light (by canceling the reflected light from the skin), whereas the other set of LEDs provides non-polarized light for traditional immersion fluid dermoscopy. A special PigmentBoost™ button (PB) activates a third set of LEDs. A high-quality 10x lens with superb color correction and reduced image distortion produces an image rich in surface detail. To facilitate the use of immersion fluids, and allow for smartphone dermoscopy, the unit is equipped with a retractable faceplate spacer.

## Directions for Use

**CAUTION:** Do not look directly into the bright LED light. Patients must close their eyes during facial examinations.

**IMPORTANT:** Before initial use, please charge the internal lithium ion battery for a minimum of 4 hours using the supplied USB charging cable. See "Battery & Charging" for details.

**CAUTION:** If your DermLite is used for immersion fluid dermoscopy, place the fluid only on the skin and then place the extended Faceplate (FP) on top of the fluid. Do not allow fluid to contact the Charging Port (CP).

Hold your DermLite DL4 so that the LEDs are aimed in the direction of the lesion to be examined. Place the device approximately 1" (~25mm) from the skin. Push the power button (P), located at the left side of the handle, to turn on the device or push the two mode buttons (POL & PB), located at the head, simultaneously. To toggle between non-polarized mode for immersion fluid dermoscopy and cross-polarized illumination, briefly push the polarization button (POL). Push and hold (POL) for about 1 second to toggle between two brightness levels.

Press (PB) briefly to activate PigmentBoost lighting in addition to white light. To enter the exclusively orange PigmentBoost mode, press the button (PB) for about 1 second; briefly press (PB) or (POL) to exit.

Look through the lens with your eye placed about 1 to 2" (25-50 mm) above your DermLite. Move the device closer or farther away from the skin to obtain the desired image focus. For dermoscopy with skin contact, or for camera use, rotate the Focus Dial (FD) to focus the image. The position "0" indicates the ideal distance for photography. To turn off your DermLite, push the power button (PB) or push the two mode buttons (POL & PB), located at the head, simultaneously. To save power, the unit automatically turns off after 3 minutes.

## Removing the Spacer & Faceplate

Unscrew the retaining ring (RR) and rotate the focus dial (FD) until the spacer (S) drops.

To re-attach the spacer, slip its three pins through the three notches (N) and gently rotate the focus dial until the spacer is being pulled back in. Reattach the retaining ring (RR).

The faceplate (FP) is magnetically attached to the spacer (S) and may simply be pulled off by grabbing it at the fingernail notches.

## Infection Control and Epidemiology Caps (IceCap™)

To support your infection control measures, 5 disposable IceCaps (IC) are supplied with this device. To use, extend the spacer and snap an IceCap over the installed faceplate (FP). To remove and dispose, simply pull it off or retract the spacer.

## Eyepiece (EP)

**WARNING:** This part contains a magnet. Do not use in proximity of pacemakers or other magnetically sensitive devices or items.

To reduce internal reflections, improve the contrast of the image, and help ensure ideal eye placement, place the magnetically attached eyepiece (EP) on top of your DermLite.

## Silicone Sleeve (SS) & Protective Holster (PH)

While the included Silicone Sleeve adds scratch and impact protection during exams, the protective holster (PH) is designed to protect your DermLite between examinations and may be attached to a belt. It can be used in conjunction with the Silicone Sleeve (Fig. A) or without (Fig. B). For the best fit without the sleeve, snap the holster cuff (HC) into the neck of the holster (PH) until it clicks into place. Note that with the cuff installed, a DL4 inside a Silicone Sleeve will not fit into the holster. To remove the holster cuff, squeeze the two ovals (O) and push the cuff up through the holster.

## Camera Use

To enable you to attach your DermLite DL4 to a camera or smartphone, magnetic adapters (such as DermLite MagnetiConnect®) can be attached to the extension ring (ER). Please note that many cameras require the use of an additional adapter made by the camera manufacturer or a photography supply company.

Prior to taking images, wipe the faceplate (FP) clean and extend the spacer (S) to the "0" position. Generally, good images may be obtained by setting your camera to automatic or "P" mode, activating the "macro" function, and deactivating the flash. Please contact 3Gen or your camera dealer for more information.

## Battery & Charging

**CAUTION:** Your DermLite uses a special lithium battery, which can only be purchased from 3Gen or from an authorized 3Gen dealer. Do not under any circumstances use another battery other than the one designed for this unit. Doing so could result in damage to the unit.

This device is equipped with a four-level charge indicator (CI). When DL4 is turned on and fully charged, all four LEDs light up. When less than 75% of battery life remains, three LEDs are illuminated. If more than half the battery is drained, two LEDs are on, while a single LED indicates that less than 25% of battery capacity remains.

To charge your DL4, insert the Micro USB plug (MUSB) of the supplied cable into the charging port (CP) and the larger USB plug (USB) into any USB port. When fully charged, the device will allow approximately 2 hours of continuous operation, or enough power for imaging approximately 600 lesions at 30 seconds per examination.

After hundreds of charges, the battery's capacity will be reduced to the point where it may be more convenient to replace the battery. Replacement batteries are only available from 3Gen or an authorized 3Gen dealer. To remove the battery (BT), remove the battery cap (BC) by unscrewing the set screw (SSC) using the wrench supplied with each DL4 replacement battery. Disconnect the small white battery plug (BP) and slide the battery (BT) out. Insert a new battery and reconnect the battery plug. Replace the battery cap (BC) and secure it with the set screw (SSC).

## Troubleshooting

Please check our website ([www.dermlite.com](http://www.dermlite.com)) for the most current troubleshooting information. If your DermLite requires servicing, please go to the "Service & Support" pages at [www.dermlite.com](http://www.dermlite.com), where you can complete a "Repair Request" form. Or, contact your local 3Gen dealer.

### No Light

Fully recharge the battery and check again. If the condition persists, your DermLite may require servicing.

### LED Fails

The LEDs used in your DermLite are designed to last over 100,000 hours. If any one of the LEDs fails, your DermLite requires servicing.

### Mechanical Malfunction

Please contact 3Gen to arrange for service.

## Care and Maintenance

Your DermLite is designed for trouble-free operation. There are no adjustments to be made nor is any special servicing required. Never attempt to open the device for any reason other than battery replacement.

### Cleaning and Sterilization

The exterior of your DermLite may be cleaned or disinfected by wiping it with isopropyl alcohol (70% vol.). Do not use alcohol or disinfectants in the optical areas of the unit. Do not use abrasive material on any part of the equipment or immerse the device in liquid. Do not autoclave.

### Cleaning the Lens and the Polarizers

The lens and the polarizing filters should be treated as high quality photographic equipment and should be cleaned with standard lens cleaning equipment and protected from harmful chemicals.

### DermLite DL4 components include:

Twenty-four 3 mm LEDs, 30 mm lens system with 10x magnification, cross-polarized and non-polarized illumination, retractable faceplate spacer with 10 mm scale, magnetic eyepiece, silicone sleeve, charging cable, 5 IceCaps.

### Warranty

5 years for parts and labor.

Serial number is engraved into the DL4 head and company information is located on the battery.

To order, or for more information, please contact;


**docStock**  
com.au

Ph: (02) 8850 7177 Fax: (02) 8850 7988  
email: info@docstock.com.au


[www.docstock.com.au](http://www.docstock.com.au) [...medical products online]

<b>REF</b>	EN <b>Model Number</b>
	DA Modellnummer
	DE Modellnummer
	ES Número de modelo
	FI Mallinnumero
	FR Numéro de modèle
	IT Numero del modello
	NL Modelnummer
	PT Número do Modelo
	SE Modellnummer

<b>SN</b>	EN <b>Serial Number</b>
	DA Serienummer
	DE Serienummer
	ES Número de serie
	FI Sarjanumero
	FR Numéro de série
	IT Numero seriale
	NL Serienummer
	PT Número de Série
	SE Serienummer

	EN <b>Attention, consult accompanying document</b>
	DA Opmærksomhed, konsultér medfølgende dokument
	DE Achtung, siehe Bedienungsanleitung
	ES Atención, consulte el documento adjunto
	FI Huomio: Tutustu mukana tulevaan kirjalliseen aineistoon.
	FR Attention, veuillez bien consulter le document d'accompagnement
	IT Attenzione, consultare la documentazione allegata
	NL Opgelet, raadpleeg bijbehorend document
	PT Atenção, consultar o documento anexo
	SE OBS! konsultera medföljande dokument

	EN <b>Manufacturer</b>
	DA Fabrikant
	DE Hersteller
	ES Fabricante
	FI Valmistaja
	FR Fabricant
	IT Produttore
	NL Fabrikant
	PT Fabricante
	SE Tillverkare

	EN <b>Do not dispose as unsorted municipal waste</b>
	DK Må ikke smides ud som usorteret husholdningsaffald
	DE Nicht mit dem unsortierten Hausmüll entsorgen
	ES No deseche este producto como residuos municipales sin clasificar
	FI Ei saa hävittää kaatopaikkajätteen mukana
	FR Ne pas jeter en tant que déchet municipal non trié
	IT Non smaltire insieme ai rifiuti urbani non differenziati
	NL Niet afvoeren als ongesorteerd stedelijk afval
	PT Não descartar como resíduos municipais não seleccionados.
	SE Får inte slängas i osorterade hushållsopor!

	EN <b>EC Representative (EU Only)</b>
	DA EF-repræsentant (kun for EU)
	DE EU-Vertreter (EU-weit)
	ES Representante EC (solo UE)
	FI EU-edustaja (vain EU:ssa)
	FR Représentant CE (seulement pour l'Union)
	IT Rappresentante CE (solo UE)
	NL EC Vertegenwoordiging (Alleen voor EU)
	PT Representante CE (apenas na UE)
	SE EC-representant (Endast EU)



M. Devices Group, Healthcare Education Centre,  
The Church, Portland Street, Southport, PR8 1HU, UK.  
Tel: +44 1704 544 944 | Fax: +44 1704 544 050

**3Gen**<sup>®</sup>

DermLite and 3Gen are registered trademarks of  
3Gen, Inc. | 31521 Rancho Viejo Road | Suite 104  
San Juan Capistrano, CA 92675 | U.S.A.  
Tel. +1-949-481-6384 | Fax +1-949-240-7492  
E-Mail: info@3geninc.com | www.dermlite.com  
©2015 by 3Gen, Inc. | All rights reserved. | REF B DL4-1701  
Patents/Trademarks: www.dermlite.com/patents

